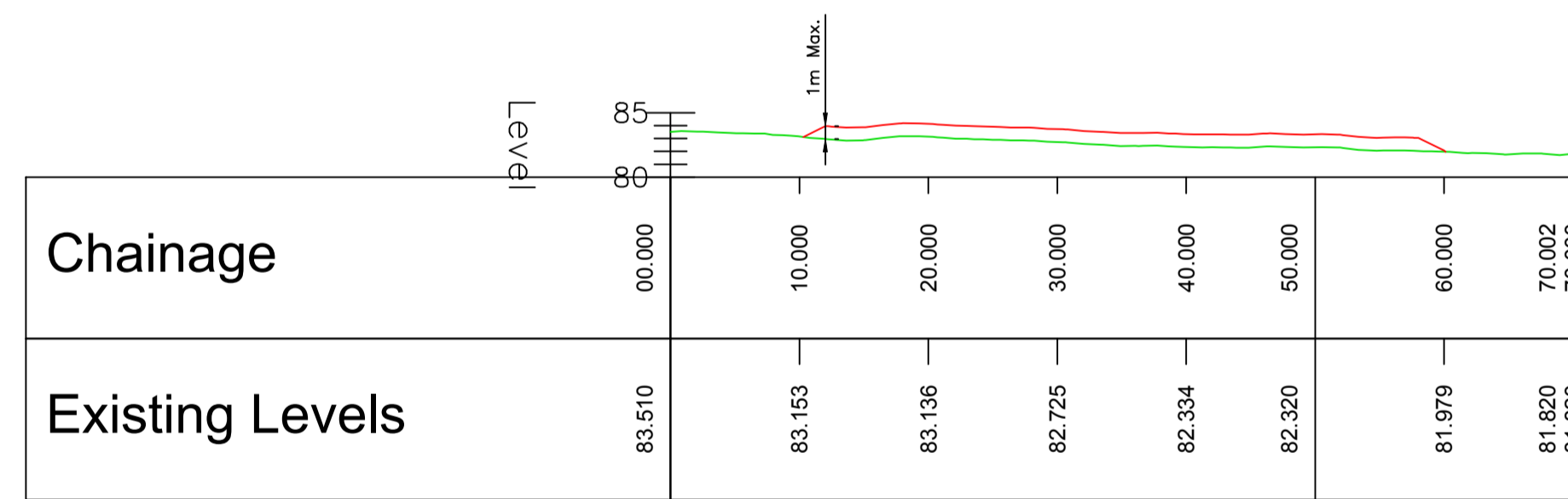
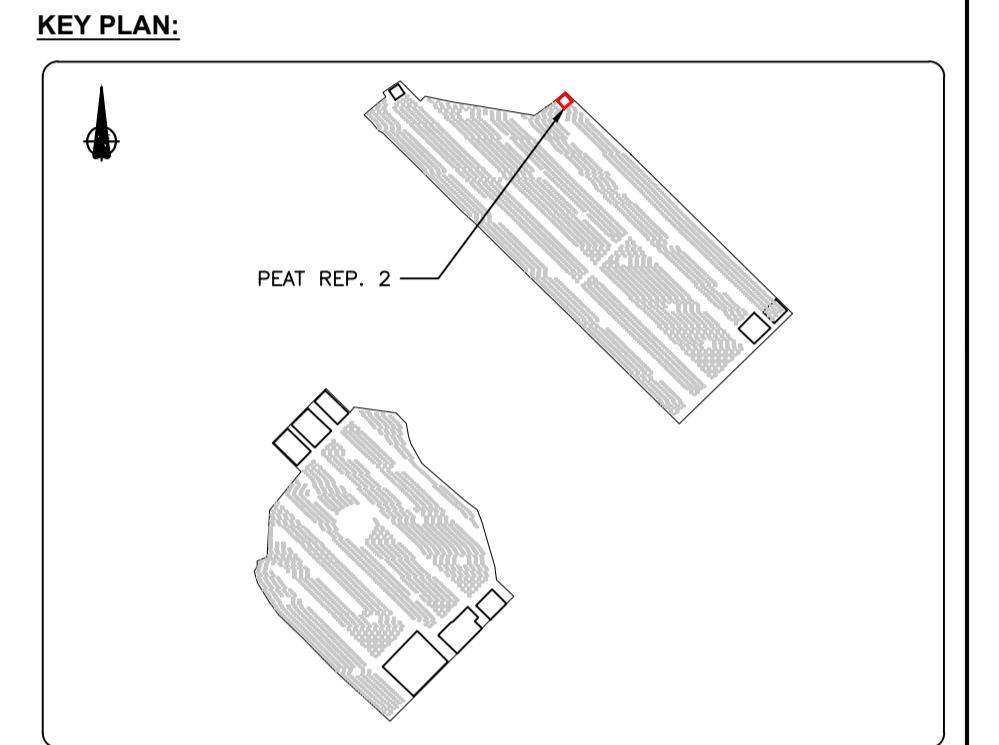


PLAN  
SCALE 1:500

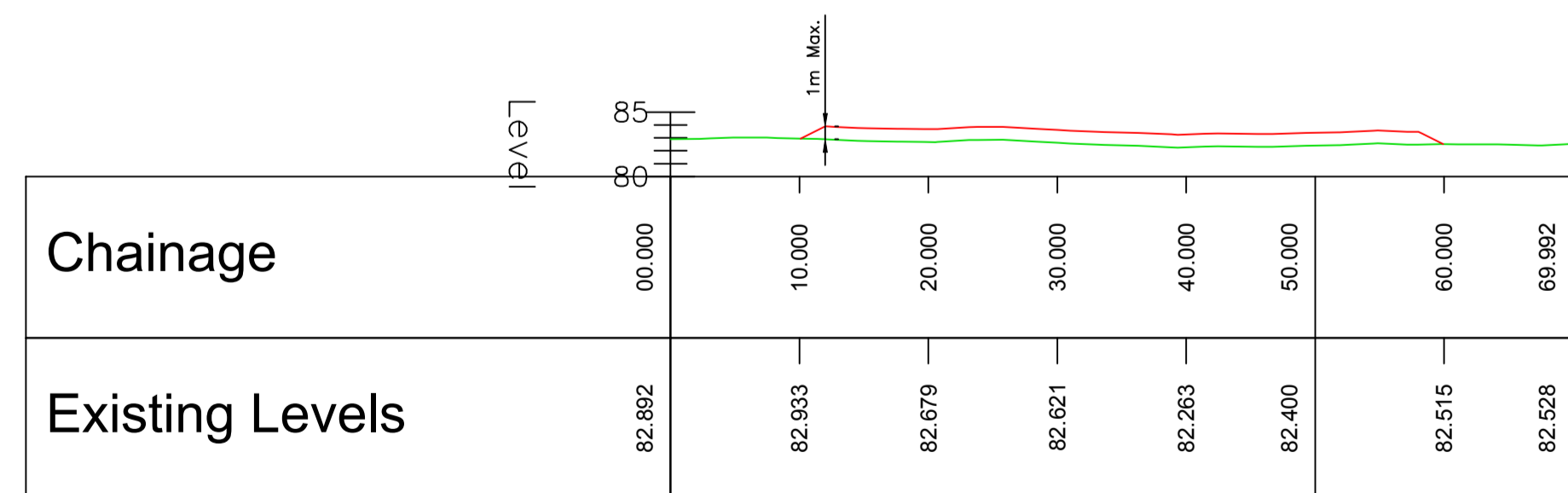
- NOTES:**
1. ALL DRAWINGS TO BE READ IN CONJUNCTION WITH THE SPECIFICATION AND ALL ENGINEER'S DRAWINGS. ANY DISCREPANCIES ARE TO BE NOTED IN WRITING TO THIS OFFICE IMMEDIATELY PRIOR TO COMMENCING THE WORK.
  2. ALL DIMENSIONS ARE IN m U.N.O. NO DIMENSIONS SHALL BE SCALED FROM THE DRAWINGS. ALL DIMENSIONS SHALL BE CHECKED ON SITE.
  3. LEVELS IN m TO MALIN HEAD DATUM.

**LEGEND:**

	SOLAR MODULES
	ACCESS ROAD
	FILL
	EXTENT OF WORKING AREA
	FENCE
	PROPOSED LAND DRAIN
	TREES REMAINING
	BRIDGE STRUCTURE



PR-2 SECTION A  
SCALE: H 1:500,V 1:500. DATUM: 80.000



PR-2 SECTION B  
SCALE: H 1:500,V 1:500. DATUM: 80.000

REV	DATE	REVISION DESCRIPTION	DRN	PROJ	VER	APP
1	07/08/18	CLIENT NAME REVISED	SB	KMcC	BM	FQ
0	31/07/18	ISSUED FOR PLANNING	SB	KMcC	BM	FQ

COPYRIGHT © ESB INTERNATIONAL LIMITED  
ALL RIGHTS RESERVED. NO PART OF THIS WORK MAY BE MODIFIED, REPRODUCED OR COPIED IN ANY FORM OR BY ANY MEANS - GRAPHIC, ELECTRONIC OR MECHANICAL, INCLUDING PHOTOCOPIING, RECORDING, TAPING OR USED FOR ANY PURPOSE OTHER THAN ITS DESIGNATED PURPOSE, WITHOUT THE WRITTEN PERMISSION OF ESB ENGINEERING & FACILITY MANAGEMENT LTD., TRADING AS ESB INTERNATIONAL.

PURPOSE OF ISSUE - PRELIMINARY UNLESS INDICATED  
 CLIENT APPROVAL  PLANNING  TENDER  CONSTRUCTION  AS-BUILT

CLIENT  
ESB WIND DEVELOPMENT LTD. AND  
BORD NA MONA POWERGEN LTD.

PROJECT  
ESB BNM SOLAR PV JV PROJECT

CONTRACT  
TIMAHOE NORTH SOLAR PROJECT

DRAWING TITLE  
PEAT REPOSITORY 2  
PLAN & SECTIONS

PRODUCTION UNIT  
CIVIL & ENVIRONMENTAL ENGINEERING

One Dublin Airport Central,  
Dublin Airport, Cloughran, Co. Dublin  
Tel: 353 1 703 8000 Email: marketing@esbi.ie  
Web: www.esbinternational.ie  
ESB International is a trading name of  
ESBI Engineering & Facility Management Ltd  
Registered Office: as above Registered in Ireland No. 155249

DRAWN	PRODUCED	VERIFIED	APPROVED	APPROVAL DATE
S. Bolton	K. McCloy	B. Murphy	F. Quigley	31/07/2018
CLIENT REF	NO. OF SHEETS	SIZE	SCALE	
	1	A1	1:500	

DRAWING NUMBER  
QS-000218-01-D453-010